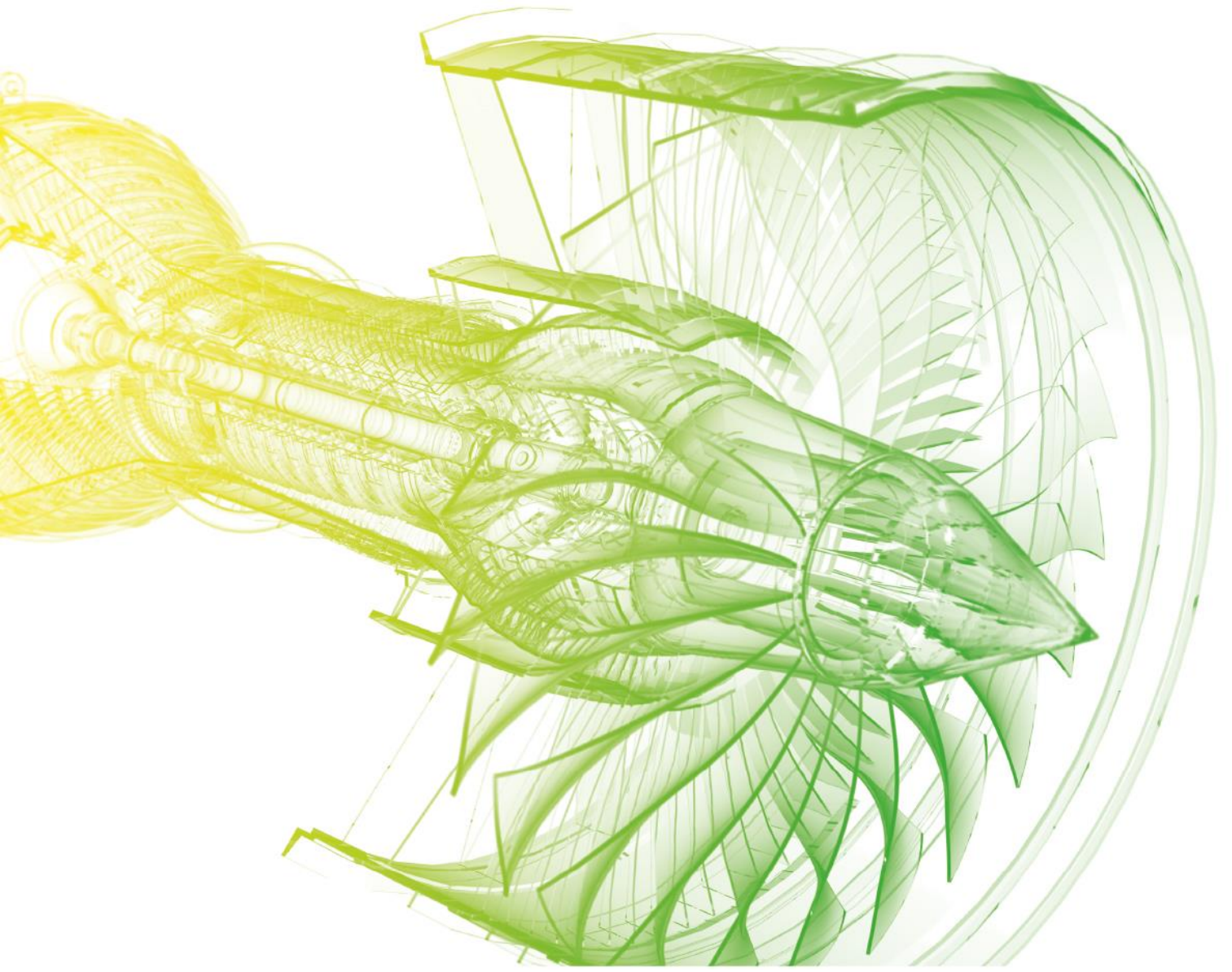




Fidgeon

**Carbon Filtration  
System**

[www.fidgeon.co.uk](http://www.fidgeon.co.uk)





# Fidgeon

## Contents

<b>Version</b> .....	3
<b>Visual Overview</b> .....	3
<b>Overall size</b> .....	3
<b>System Overview</b> .....	4
<b>General description</b> .....	4
<b>Filtration system design details</b> .....	4
<b>Reservoir tank system design details</b> .....	5
<b>Carbon filter cartridges details</b> .....	7

## Version

Document version 1  
Filtration system version 1

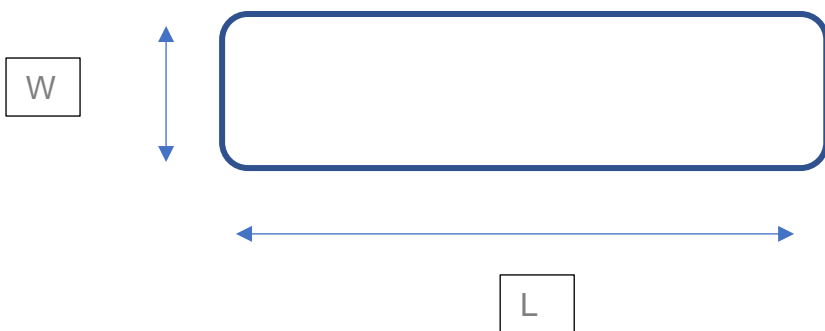
## Visual Overview

Example only Filtration system may vary



## Overall size

1000 mm (W) x 2000 mm (L)



## System Overview

### General description

Fidgeon Limited Carbon Filtration System containing 1 x 10" Granular Activated Carbon Cartridge

Carbon Filtration systems provides clean purification of waste penetrant materials from the water allowing discharge straight to the waste drain.

The Granular Activated Carbon Cartridge filters the chemicals which are produced by penetrant material & allows the wastewater to be environmentally safe to be disposed of directly down the waste (Subject to local water authority regulations).

The system is fitted with granular activated carbon cartridge which are perfect for easy removal & has technology which allows multi pass filtration via our additional bespoke reservoir tank to ensure waste penetrant materials are treated efficiently.

### Filtration system design details

Materials: Polypropylene / EPDM

System Flow Rate: 2000 l/hr

Media: 1 x 10" Cartridges

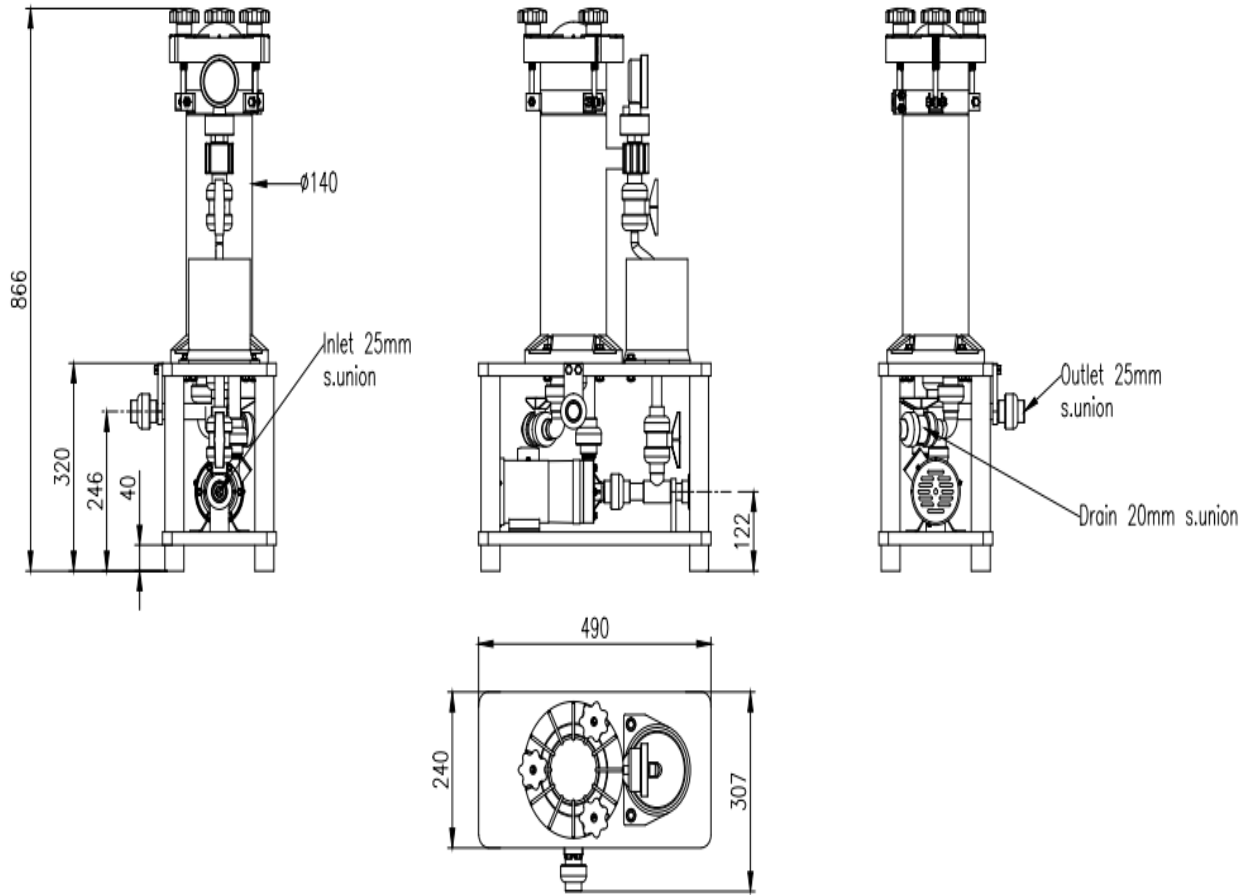
Motor: 65 watts 240v / 1ph / 50Hz

Inlet: 25 mm socket union

Outlet: 25 mm socket union

Suction Priming Pot

Pressure Gauge



## Reservoir tank system design details

Dimensions 600 mm (dia) x 1000 mm(h) with an integrated compartment with an extra 25mm suction nozzle for the second pump

2 off 25 mm inlet nozzles. 2 off 25 mm outlet nozzles.

Loose fit clear lid.

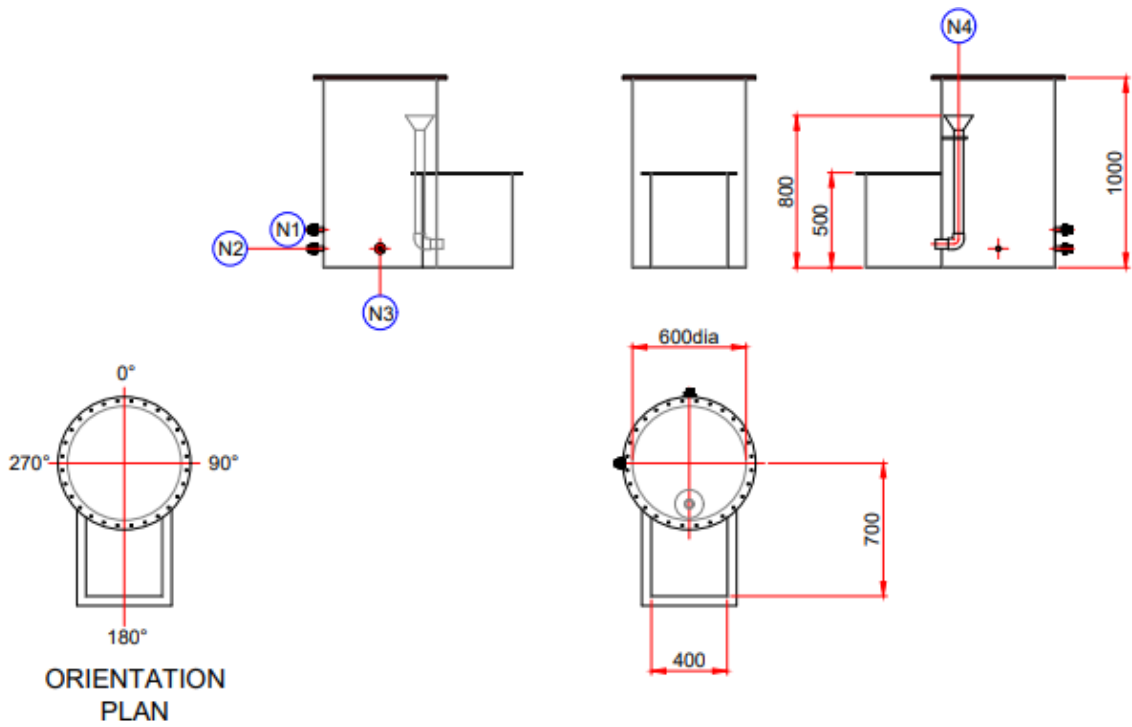


TABLE				
Nozzle	Size	Orientation	Level	Description
N1	25mm o.d	TBD	TBD	Carbon Chamber Outlet
N2	25mm o.d	TBD	TBD	Carbon Chamber Inlet
N3	25mm o.d	TBD	TBD	Waste Inlet
N4	50mm o.d	180°	800mm	Overflow Weir to Pump Pot

## Carbon filter cartridges details

Length: 10" Ideal for the removal of organics.

Polypropylene end caps. Polyethylene netting.

Sulphur free carbon with 10 um depth filtration extended life.

Recommended to change Carbon Filter Cartridges once a month for optimal performance.



Fidgeon Ltd can supply additional Carbon filter cartridges at an additional cost.

Optional extras such as self-contained bund area with connecting Polypropylene socket fusion pipe work & fitting on site can be offered for additional cost.

## Features & benefits

Materials of construction: Polypropylene, CPVC & PVDF

Priming pot enabling prime at start up and after cartridge changes

Flow rate 2,000 l/hr

Service friendly equipment for media change-outs

Pressure gauge indicating filter cartridge change-outs

Drain valve for emptying solution prior to media removal

Pillared base giving easy access to the pump

Stainless steel engineered top bracket

Corrosion resistant tightening handles

Socket union or flange connections on suction and discharge